



UNLIMITELECTRO
GROUP

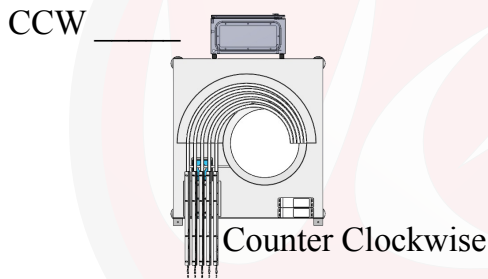
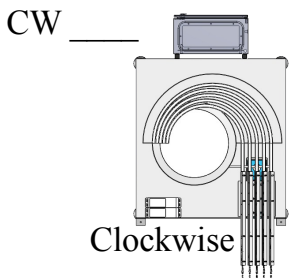
Bowl Feeder Quote Sheet | Bowl feeder specifications

Company : _____ Today's Date: _____
 Address: _____ Date Quote Required By: _____
 Phone + Extension: _____
 E-Mail Address: _____

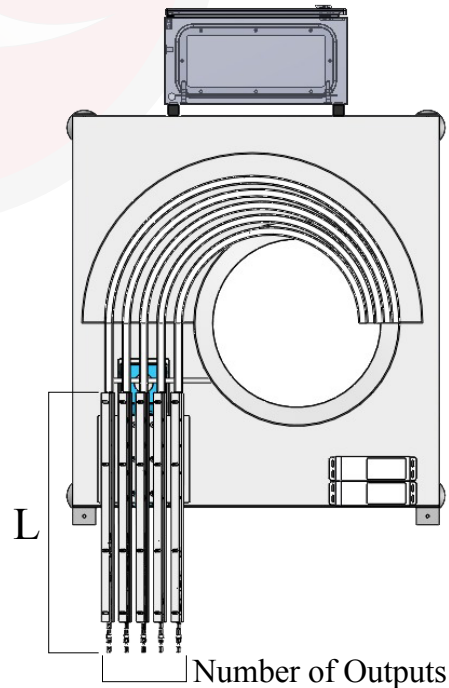
Please fill this form as accurately as possible.

Bowl Feeder

- Please attach 3D or 2D of part to be processed along with sample parts
- Orientation please specify on Drawing



- Number of Outputs: _____
- Rate per output: _____ ppm
- Line feeder length (L) _____ mm
- Environment (Ex. Medical) _____
- Power Supply, 110v or 220v: _____
- Sourcing, PNP or NPN: _____
- How many models to feed: _____
 if 2 or more: Do you require sorting? Yes/No: _____



Structure

- Base table

Yes ___ No ___

- PTR 2 /14”

Height (H) : _____ Color: _____

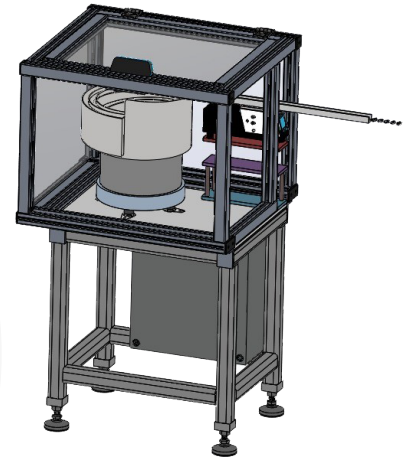
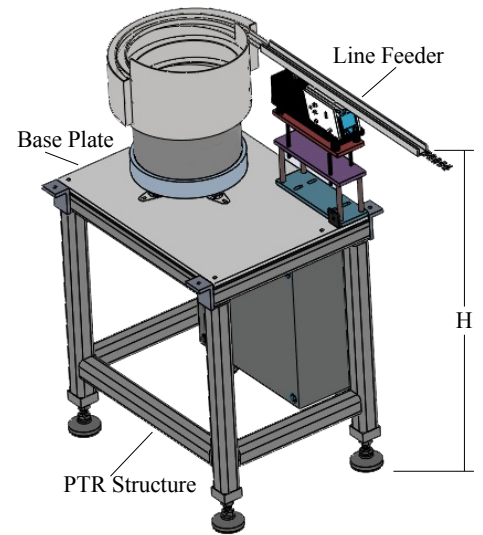
- Application type: (Select one)

Medical: _____ General: _____ Screw type: _____ Other _____

- Noise Reduction Cabin (if yes select one)

Aluminum extruded and Polycarbonate only ___

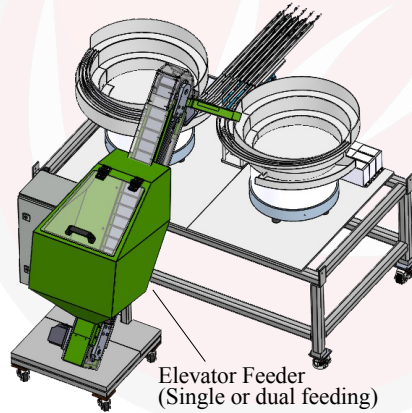
Aluminum extruded, Polycarbonate and noise absorption foam ___



Capacity Add-on

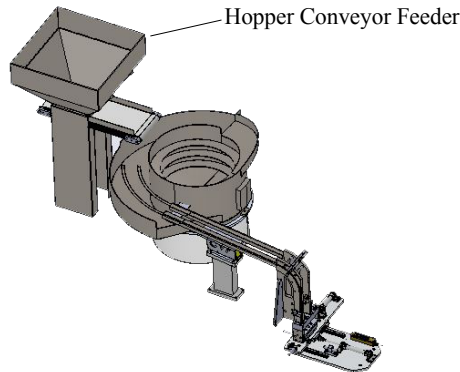
- Elevator Feeder

Unit Capacity _____ m3



- Hopper Conveyor Feeder

Unit Capacity _____ m3



Notes: _____

